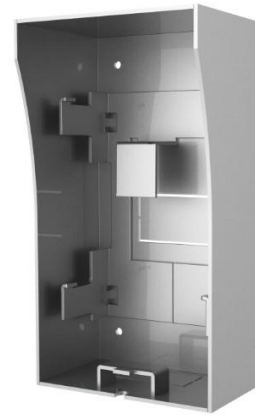


## DS-KAB02 Protective Shield

### Features and Notes

- Stainless steel material
- Convenient design available for the wall mounting of the villa door station (DS-KV8X02-IM) wall mounting
- No insulation



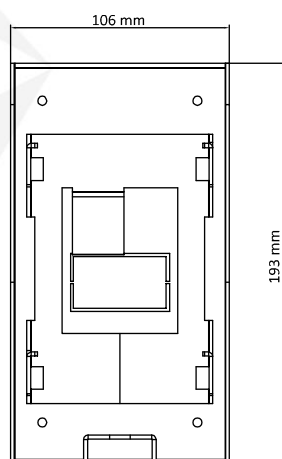
### Available Model

DS-KAB02

### Specifications

Parameter	Model	DS-KAB02
Housing material		Stainless Steel SUS201
Inner-shell material		SGCC
Working temperature		-30° C to +70° C (-22° F to 158° F)
Working humidity		10% to 90%
Dimension (L x W x H)		193 mm × 106 mm × 88 mm (7.60" × 4.17" × 3.15")

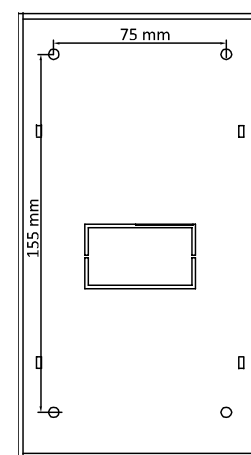
### Dimension



Front View



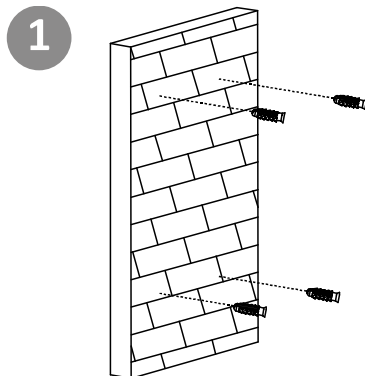
Slide View



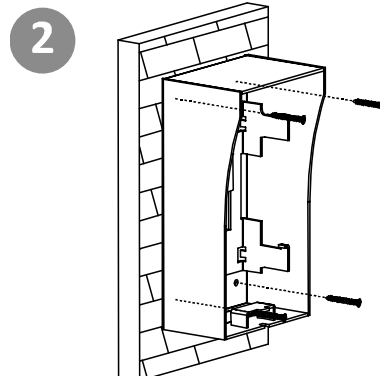
Rear View



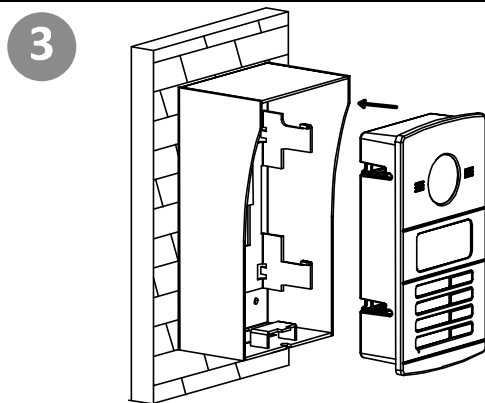
## Installation



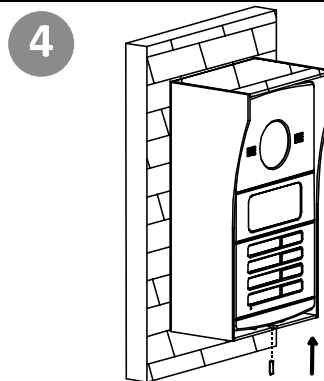
1  
Insert 4 expansion tubes into the wall.



2  
Fix the protective shield on the wall with 4 screws.



3  
Install the door station into the protective shield.



4  
Secure the door station with the shield with a set screw.

Distributed by



## HIKVISION®

### Headquarters

No.555 Qianmo Road, Binjiang District,  
Hangzhou 310051, China  
T +86-571-8807-5998  
overseasbusiness@hikvision.com

**Hikvision USA**  
T +1-909-895-0400  
sales.usa@hikvision.com

**Hikvision Italy**  
T +39-0438-6902  
info.it@hikvision.com

**Hikvision Singapore**  
T +65-6684-4718  
sg@hikvision.com

**Hikvision Africa**  
T +27 (0) 0351172  
sale.africa@hikvision.com

**Hikvision Europe**  
T +31-23-55-42-770  
info.eu@hikvision.com

**Hikvision France**  
T +33(0)1-85-330-450  
info.fr@hikvision.com

**Hikvision Oceania**  
T +61-2-8599-4233  
salesau@hikvision.com

**Hikvision Hong Kong**  
T +852-2151-1761

**Hikvision Middle East**  
T +971-4-8816086  
salesme@hikvision.com

**Hikvision Spain**  
T +34-91-737-16-55  
info.es@hikvision.com

**Hikvision Canada**  
T +1-909-895-0400  
sales.usa@hikvision.com

**Hikvision Russia**  
T +7-495-669-67-99  
saleru@hikvision.com

**Hikvision Poland**  
T +48-22-460-01-50  
poland@hikvision.com

**Hikvision Korea**  
T +82-31-731-8841  
sales.korea@hikvision.com

**Hikvision India**  
T +91-22-28469900  
sales@pramahikvision.com

**Hikvision UK**  
T +01628-902140  
support.uk@hikvision.com

**Hikvision Brazil**  
T +55 11 3318-0050  
Latam.support@hikvision.com